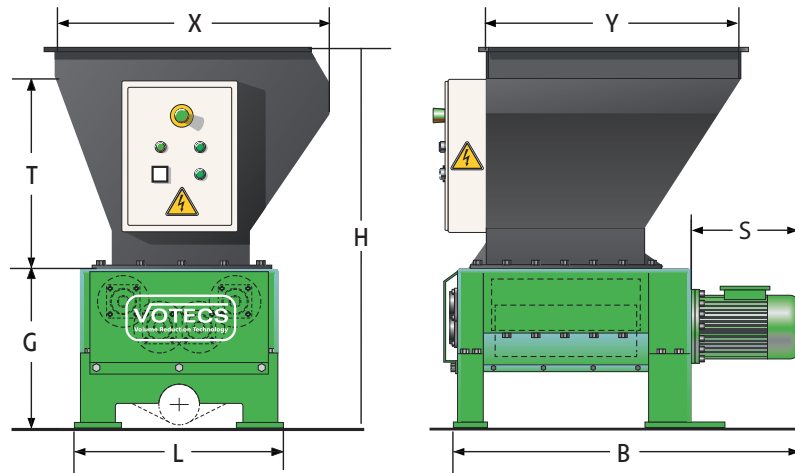


VZ Four-Shaft-Shredder



Technical Data



Type*	L	B	H	G	T	S	X	Y
VZ 30	900	1405	1970	830	1140	560	1250	1000
VZ 40	1000	1990	1980	830	1150	770	1400	1300
VZ 50	1000	2250	1980	830	1150	780	1400	1500

* All dimensions are in millimeters

Type		VZ 30	VZ 40	VZ 50
Hopper opening:	Width mm	1000	1300	1500
	Length mm	1250	1400	1400
Cutting chamber:	Working width mm	462	760	990
	Length mm	562	700	700
	Disk diameter Ø mm	235	280	280
Motor performance	kW	2 x 7,5; 2 x 11	2 x 15; 2 x 18,5; 2 x 22	2 x 15; 2 x 18,5; 2 x 22; 2 x 30
Throughput:	*This may vary according to equipment and drive performance of the machine			
Screen Ø 20 mm	kg/h	300 - 500	600 - 1200	800 - 1500
Screen Ø 40 mm	kg/h	500 - 800	800 - 1500	1000 - 2000
Connection Ø	mm	200	200	200
Weight ca.	kg	1300	2500	3000

Standard equipment

Cutting chamber with 2 cutter shafts and 2 spacer shafts
 Twin drive with sealed oilbath gearbox
 Automatic reverse and automatic overload protection
 Breaker guide system to prevent long granulates
 Special designs on request